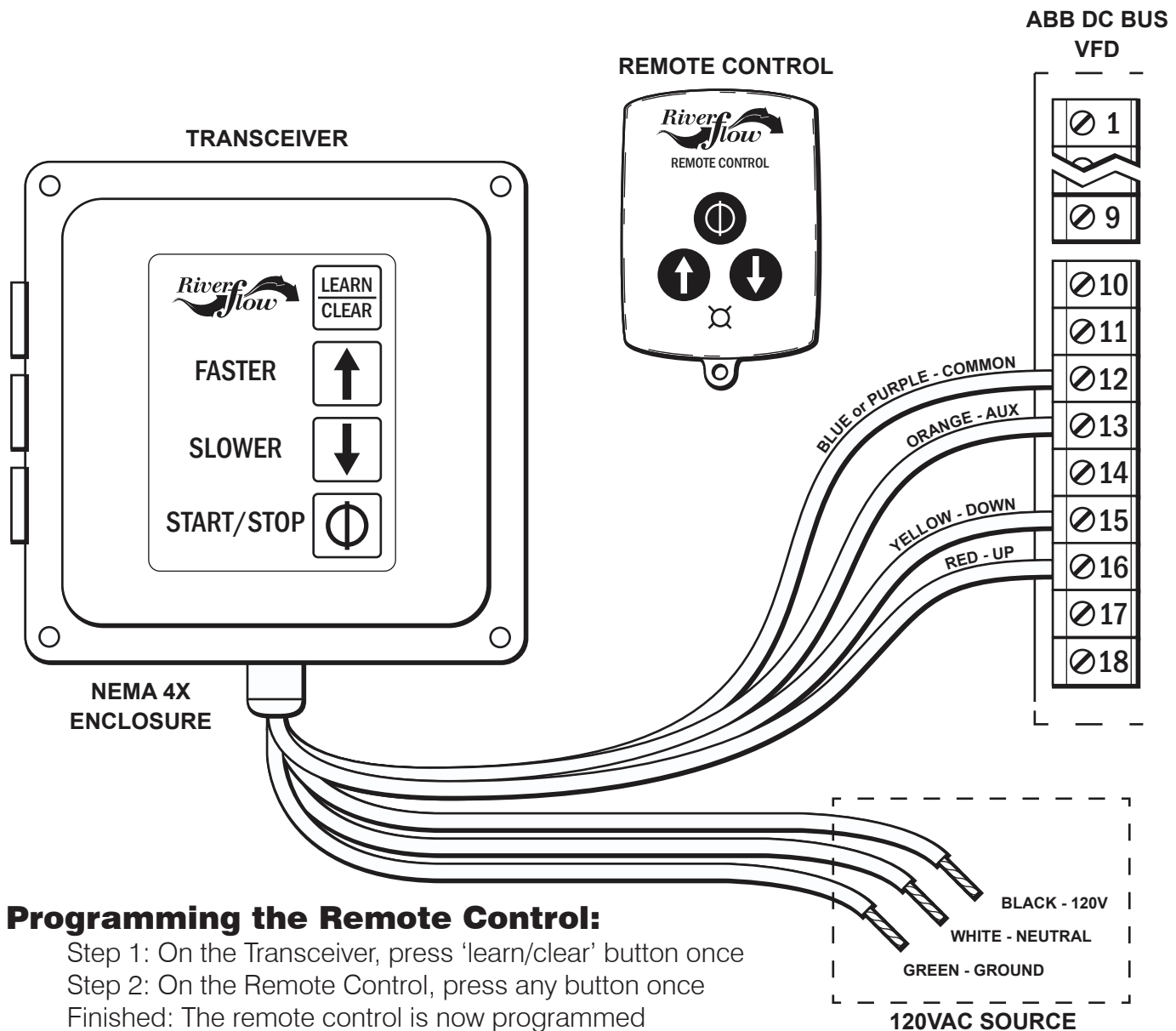


RIVERFLOW PUMP INSTALLATION GUIDE

ELECTRICAL INSTALLATION WIRELESS PUMP CONTROL



Programming the Remote Control:

- Step 1: On the Transceiver, press 'learn/clear' button once
- Step 2: On the Remote Control, press any button once
- Finished: The remote control is now programmed

Controlling the pump speed:

- Step 1: Press 'up arrow' to increase pump speed by 5% per push
- Step 2: Press 'down arrow' to decrease pump speed by 5% per push

Remote Control care:

- Do not submerge
- Dry off after use
- Replace batteries with CR2032, Qty. 2

IMPORTANT:

Parameters on ABB VFD must be set to:
1001 to DI 1
1103 to DI 3U, 4D