

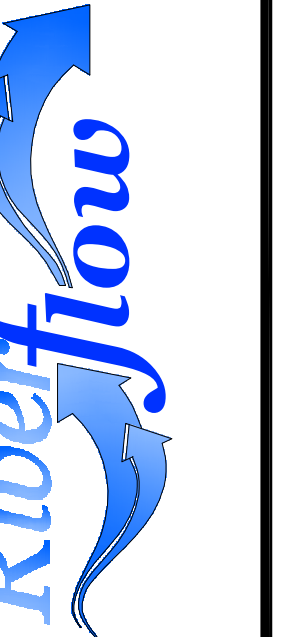
LAZY RIVER PUMP LAYOUT
SCALE 3/4" = 1'-0"

SHEET TITLE:
PUMP LAYOUT

PROJECT NAME:
LAZY RIVER
3'-0" DEPTH

PROJECT NAME:

888-443-4113 Toll Free
954-889-0311 Direct
954-827-2800 Fax
"Your Moving Water Solution"
& Manufacturer of YGB Grates
www.current-systems.com



REVISION DATE(S)

JOB #:

SCALE:
AS NOTED

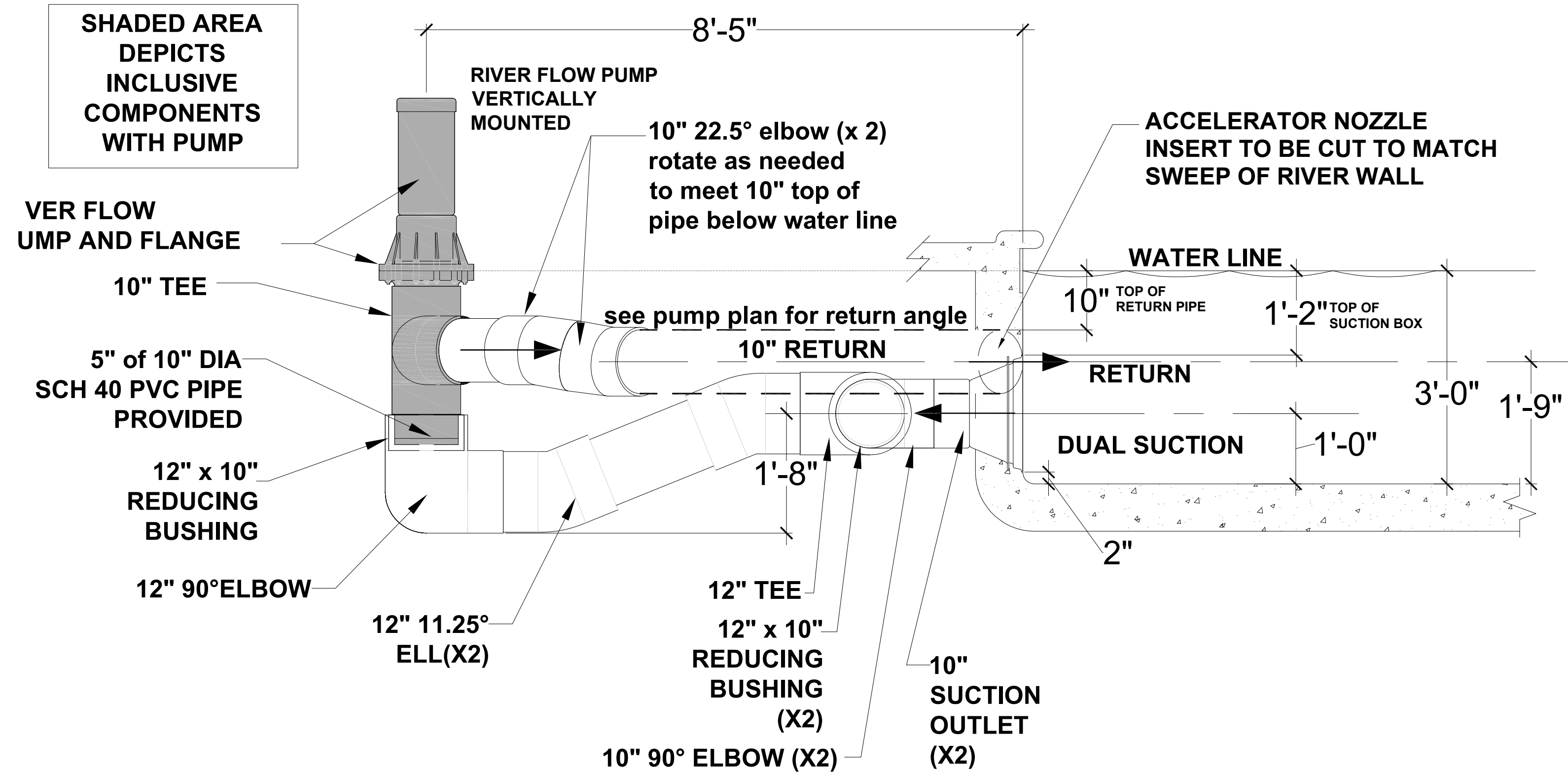
CHECKED BY:

DRAWN BY:
MCK

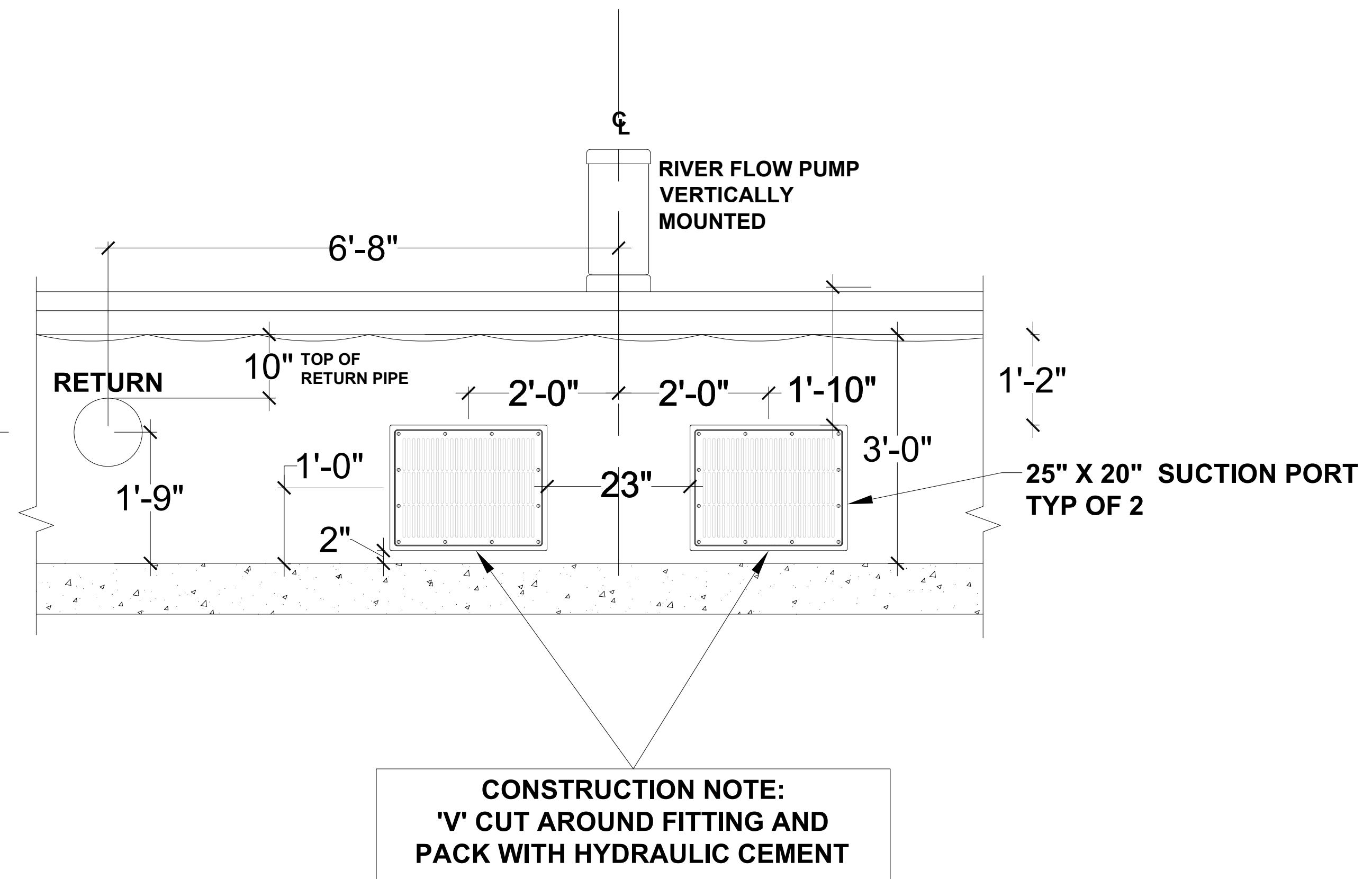
11 / 05 / 13

SHEET NO.:

1 OF 3



LAZY RIVER SYSTEM SIDE VIEW
SCALE 3/4" = 1'-0"



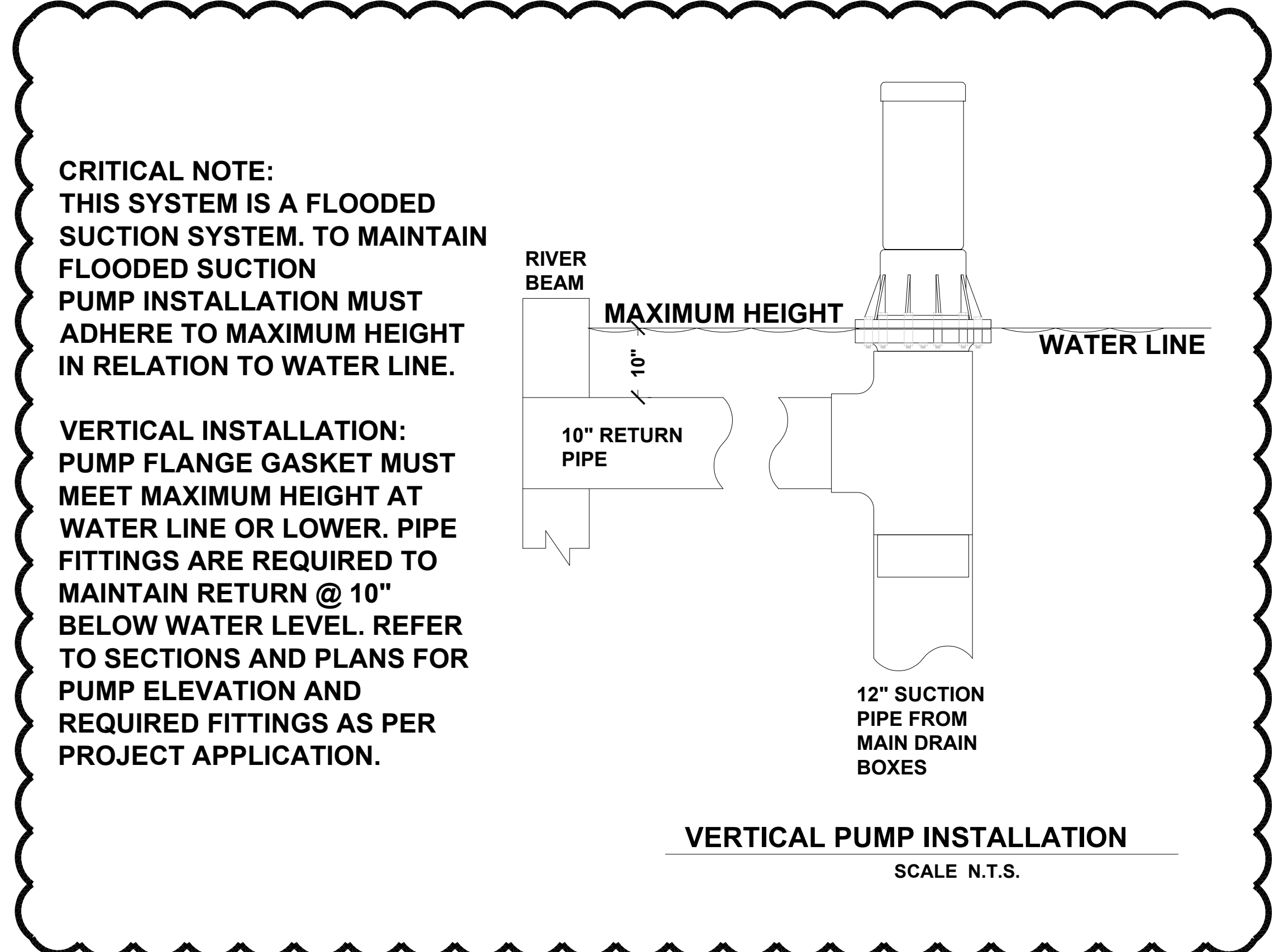
LAZY RIVER SYSTEM SUCTION AND RETURN DETAIL
SCALE 3/4" = 1'-0"

PARTS LIST: LAZY RIVER SYSTEM

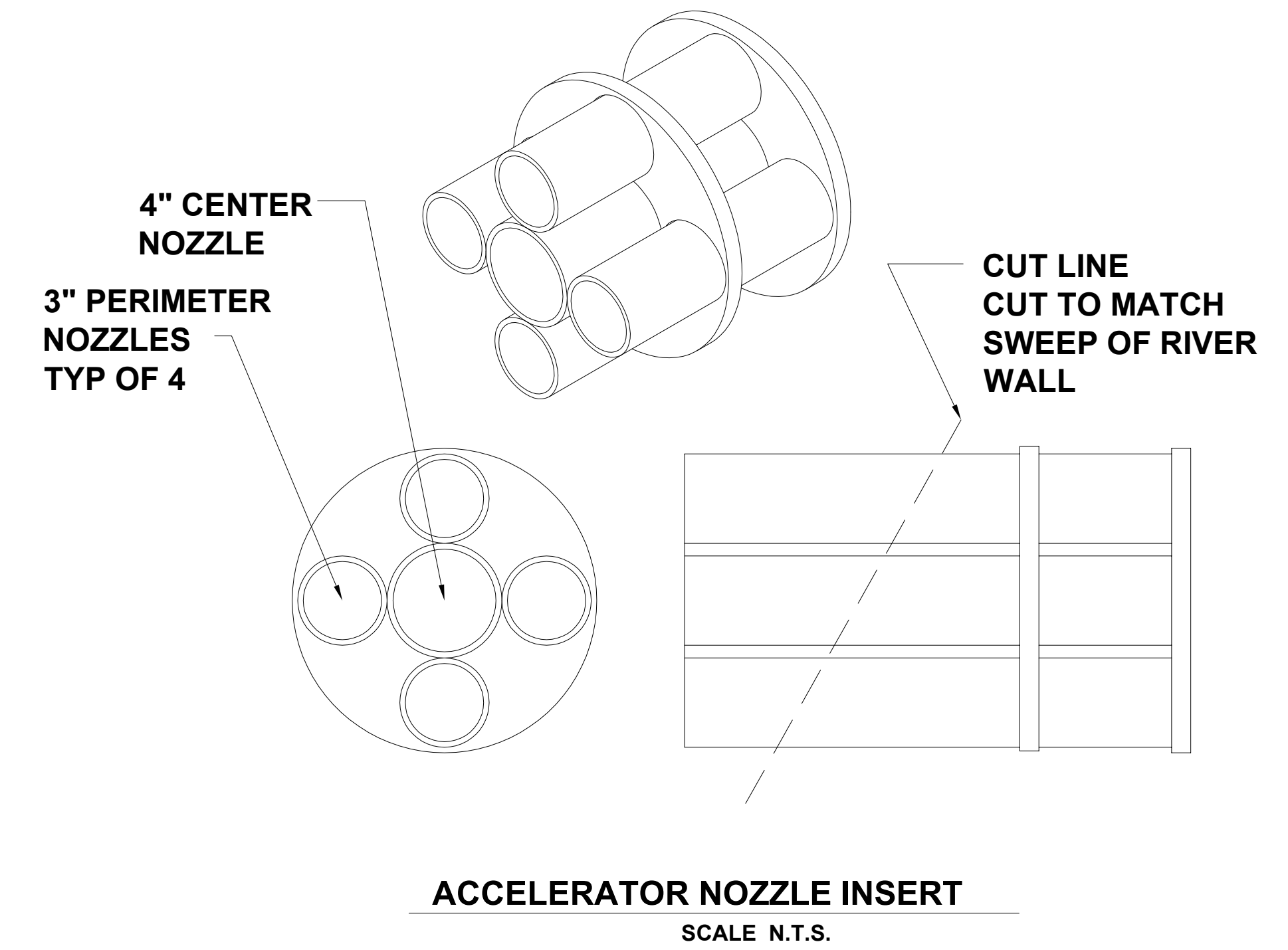
	1 x	RIVERFLOW PUMP
	2 x	DUAL SUCTION BOX
	1 x	ACCELERATOR NOZZLE
	2 x	10" 90° ELBOW
	2 x	10" 22.5° ELBOW
	2 x	12" 11.25° ELBOW
	1 x	12" TEE
	1 x	12" 90° ELBOW
	3 x	12" X 10" REDUCING BUSHING

BOX DENOTES COMPONENTS INCLUDED IN RIVERFLOW SYSTEM

ADDITIONAL REQUIRED ITEMS NOT INCLUDED



VERTICAL PUMP INSTALLATION
SCALE N.T.S.



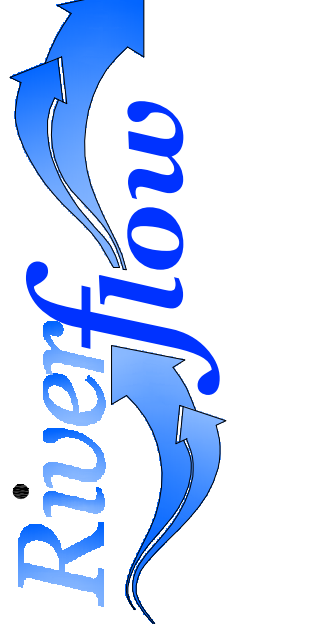
ACCELERATOR NOZZLE INSERT
SCALE N.T.S.

SHEET TITLE:
SYSTEM DETAILS (1)

PROJECT NAME:
**LAZY RIVER
3'-0" DEPTH**

PROJECT NAME:

888-443-4113 Toll Free
954-889-0311 Direct
954-827-2800 Fax
"Your Moving Water Solution"
& Manufacturer of YGB Grates
www.current-systems.com



REVISION DATE(S):

JOB #:

SCALE: AS NOTED

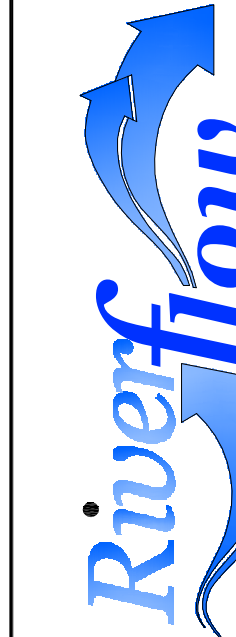
CHECKED BY:

DRAWN BY: MCK

11 / 05 / 13

SHEET NO.:

2 OF 3



JOB #:

SCALE:
AS NOTED

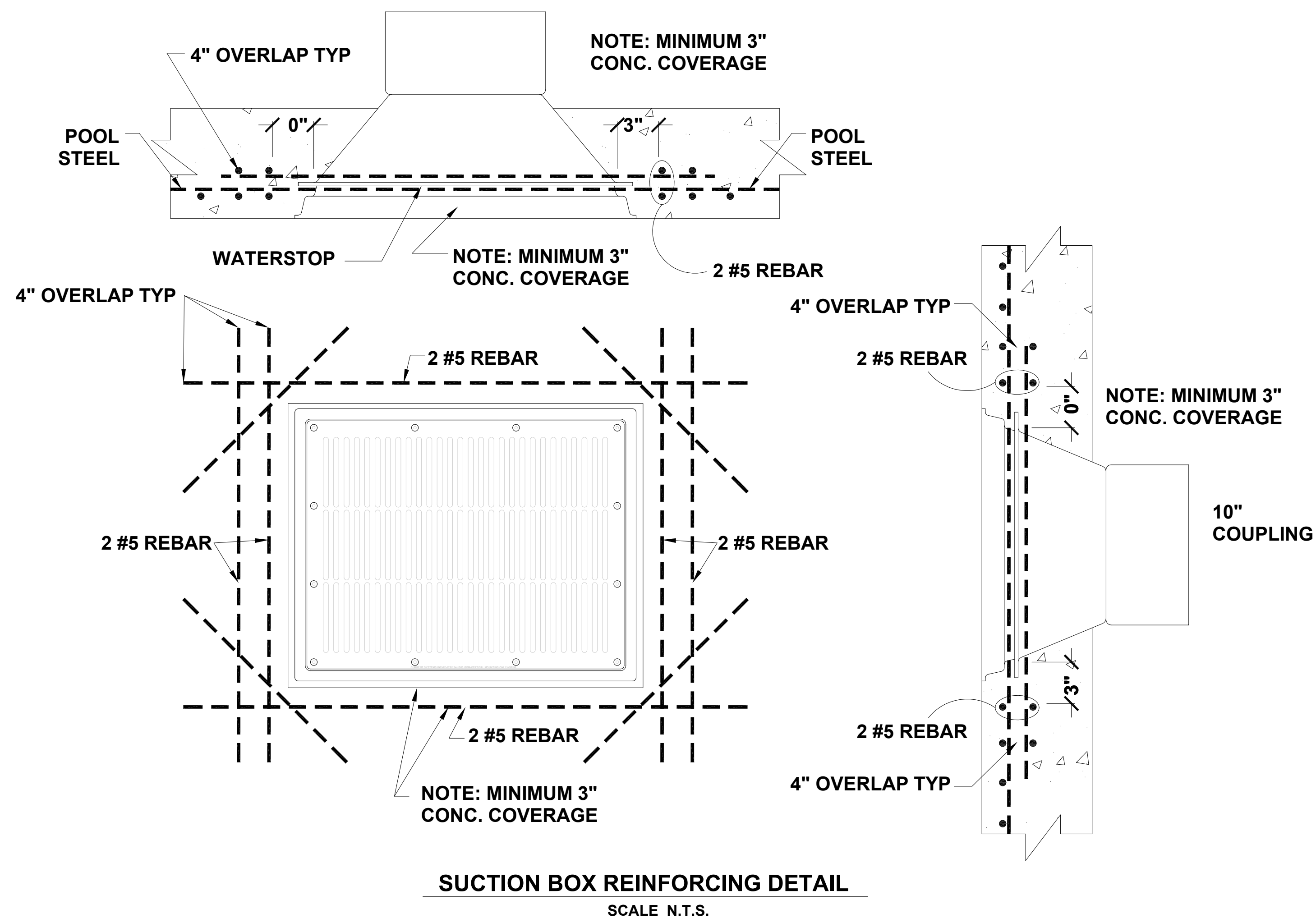
CHECKED BY:

DRAWN BY:
MCK

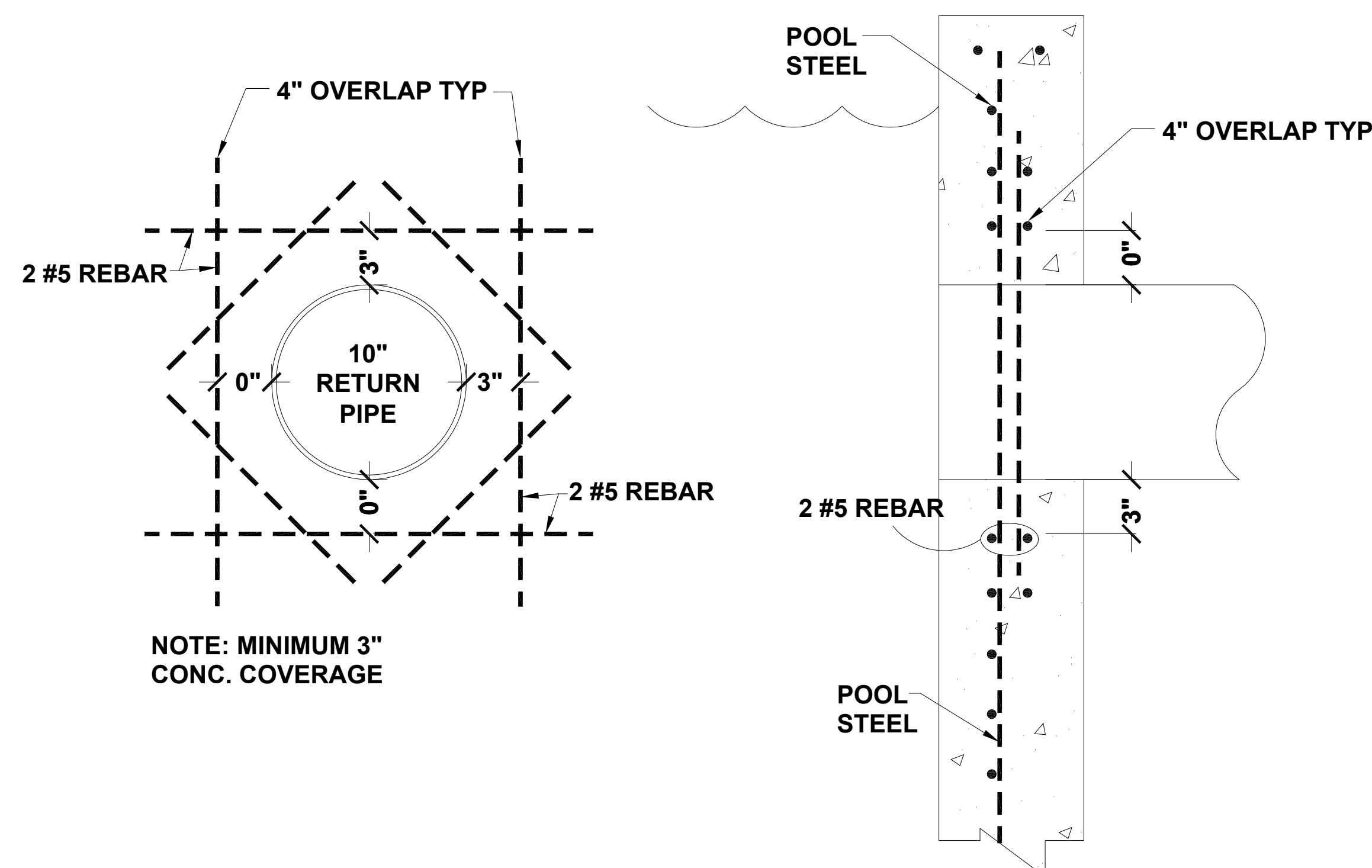
11 / 05 / 13

SHEET NO.:

3 OF 3



SUCTION BOX REINFORCING DETAIL
SCALE N.T.S.



10" RETURN PIPE REINFORCING DETAIL
SCALE N.T.S.