

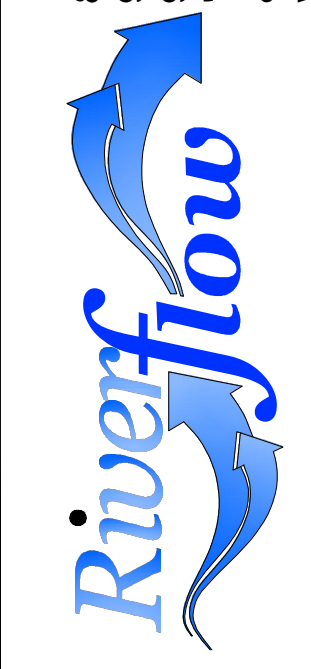
NOTE:
ALL SCH 40 PVC PIPE
AND LOW PRESSURE FITTINGS

LAZY RIVER PUMP LAYOUT
SCALE 3/4" = 1'-0"

SHEET TITLE:
PUMP LAYOUT

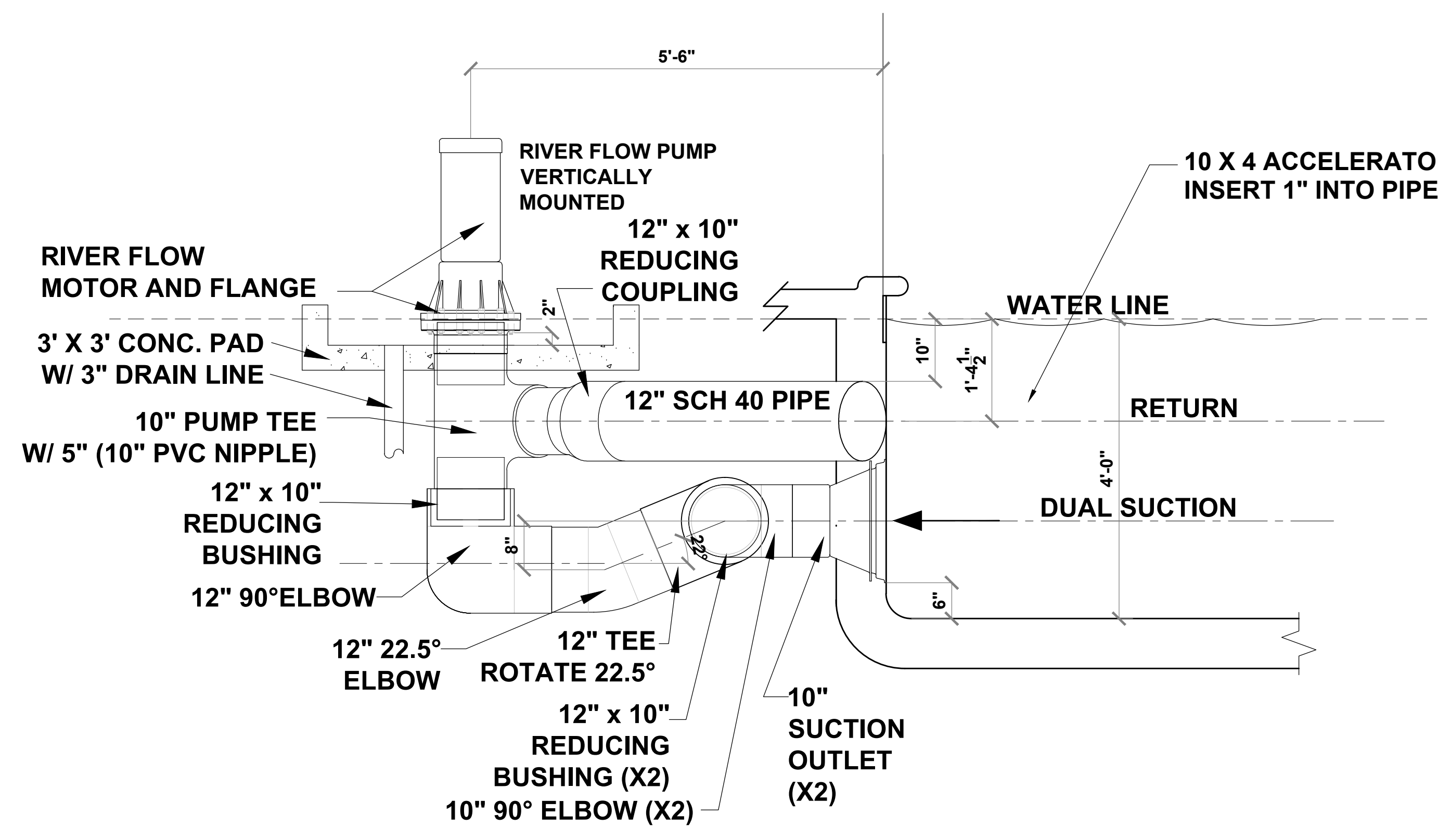
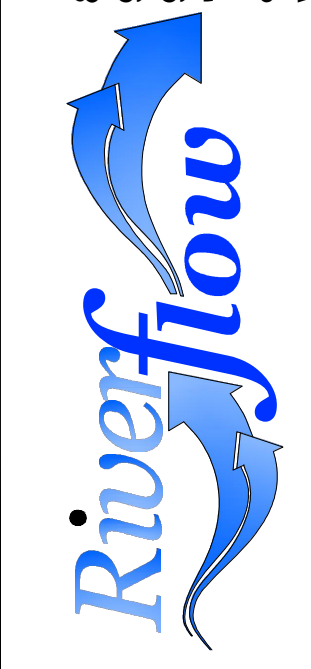
PROJECT NAME:
**LAZY RIVER
4'-0" DEPTH**

888-443-4113 Toll Free
954-889-0311 Direct
954-827-2800 Fax
"Your Moving Water Solution"
& Manufacturer of VGB Grates
www.current-systems.com

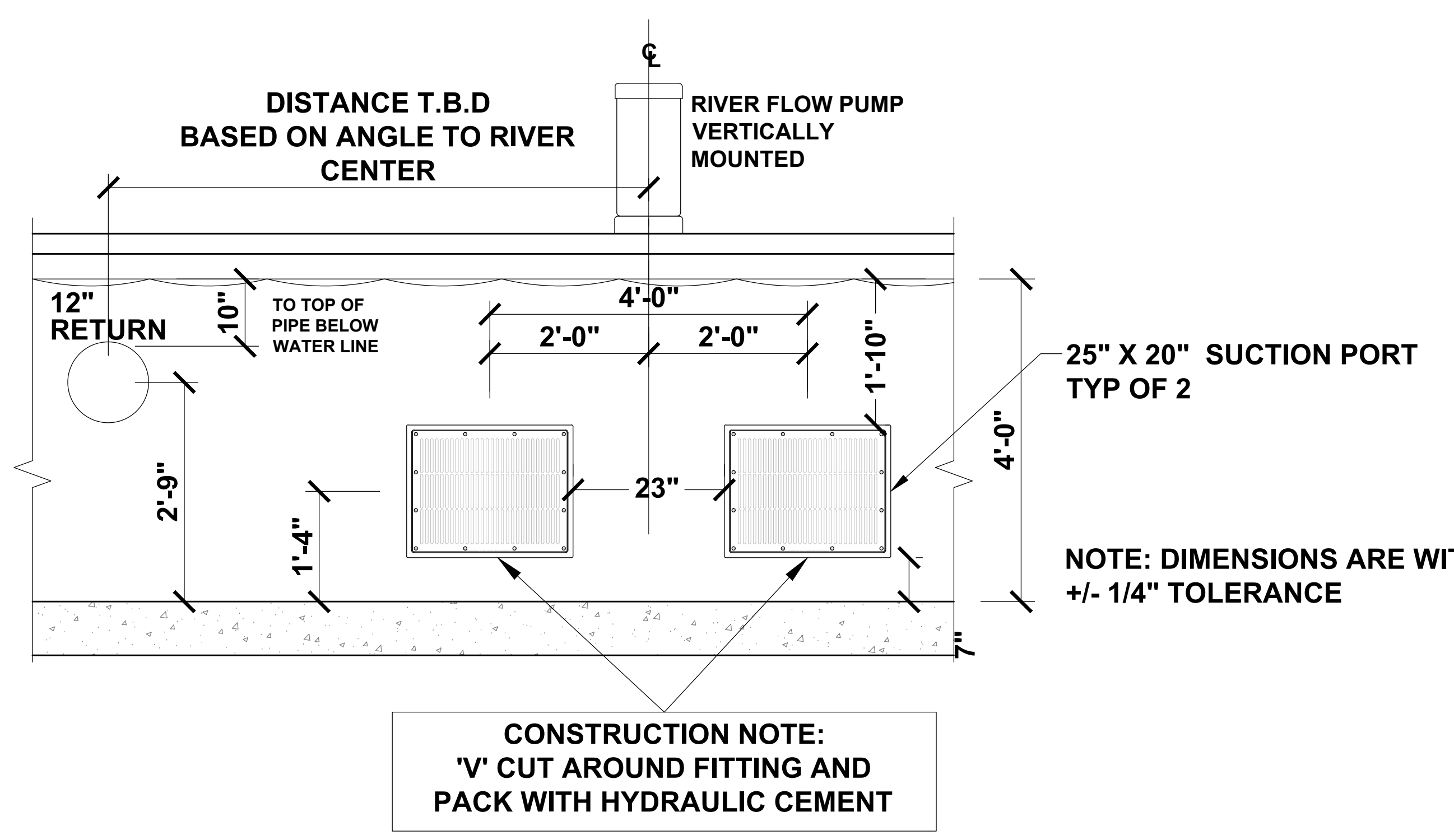


REVISION	DATE(S)

JOB #:
SCALE: AS NOTED
CHECKED BY:
DRAWN BY: MCK
06 / 28 / 16
SHEET NO.: 1 OF 3



LAZY RIVER SYSTEM SIDE VIEW
SCALE 3/4" = 1'-0"

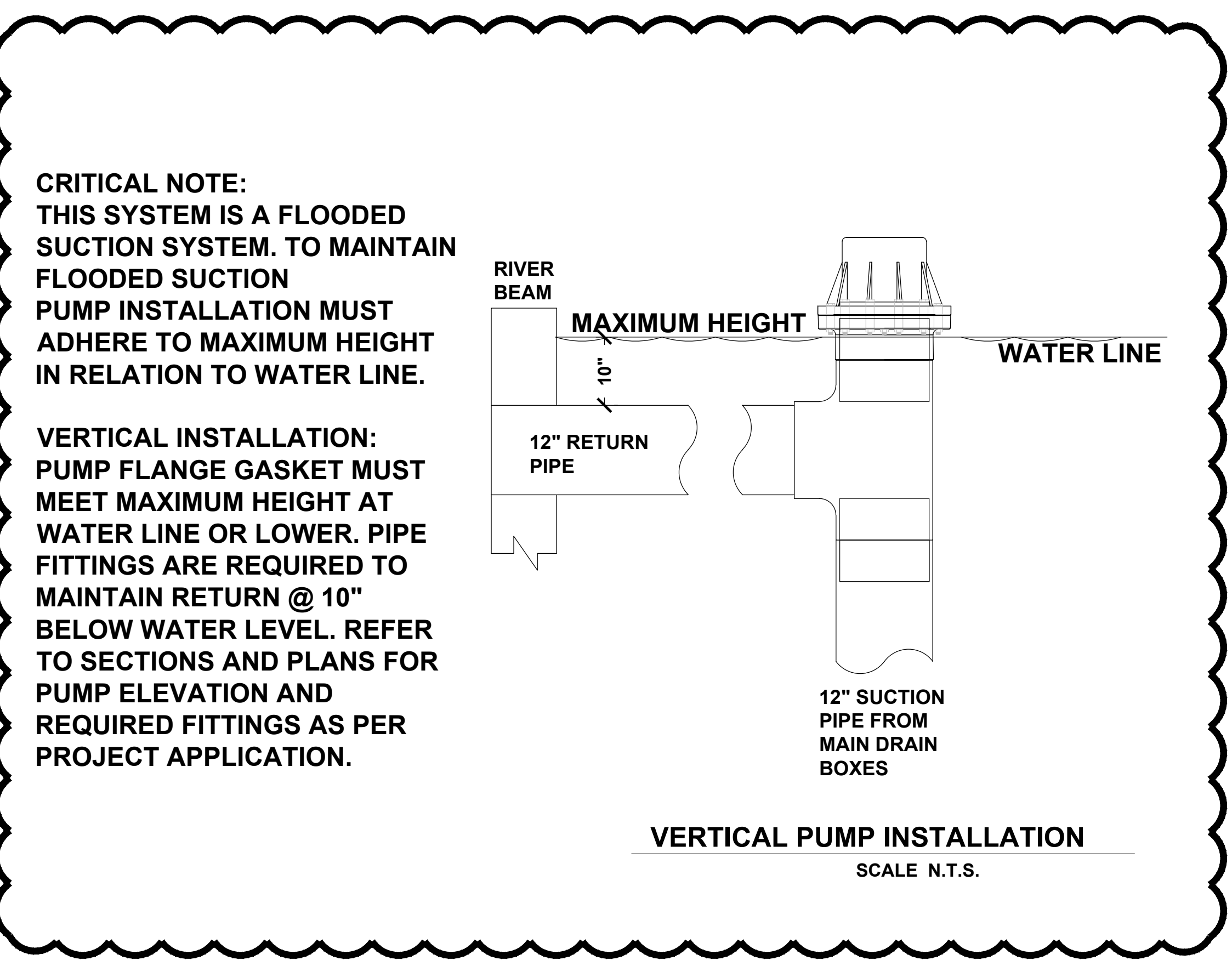


LAZY RIVER SYSTEM SUCTION AND RETURN DETAIL
SCALE 3/4" = 1'-0"

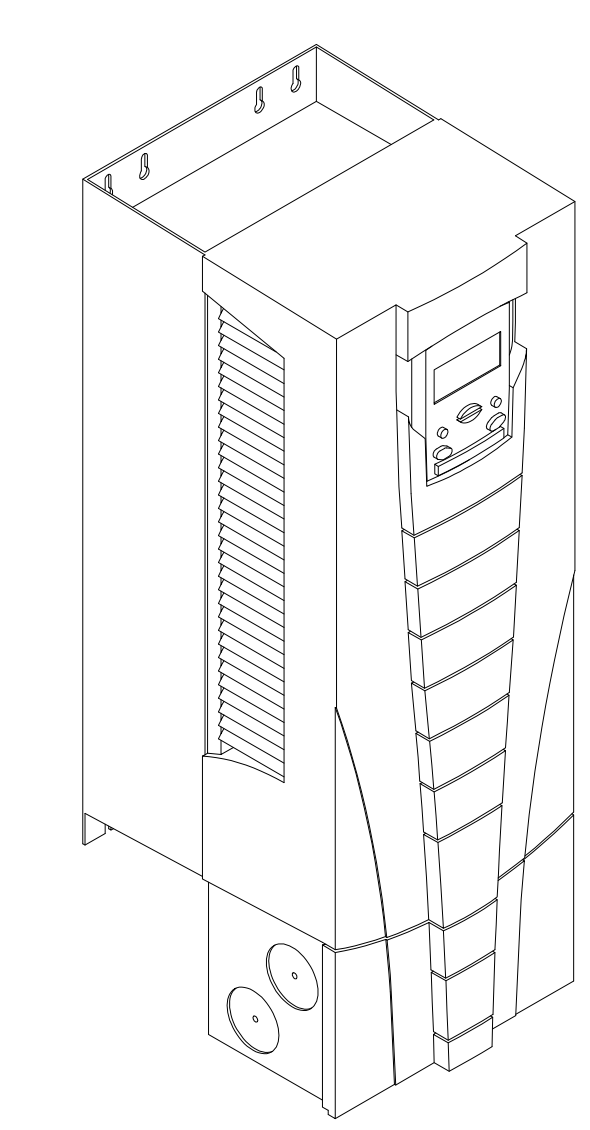
PARTS LIST: LAZY RIVER SYSTEM		
	1 x	10HP PUMP MOTOR
	1 x	RIVERFLOW PUMP
	2 x	DUAL SUCTION BOX
	1 x	ACCELERATOR NOZZLE
	1 x	(VFD) VARIABLE FREQUENCY DRIVE
	2 x	10" 90° ELBOW
	1 x	12" 22.5° ELBOW
	1 x	12" RED. COUPLING
	1 x	12" TEE
	1 x	12" 90° ELBOW
	3 x	12" X 10" REDUCING BUSHING

BOX DENOTES COMPONENTS INCLUDED IN RIVERFLOW SYSTEM

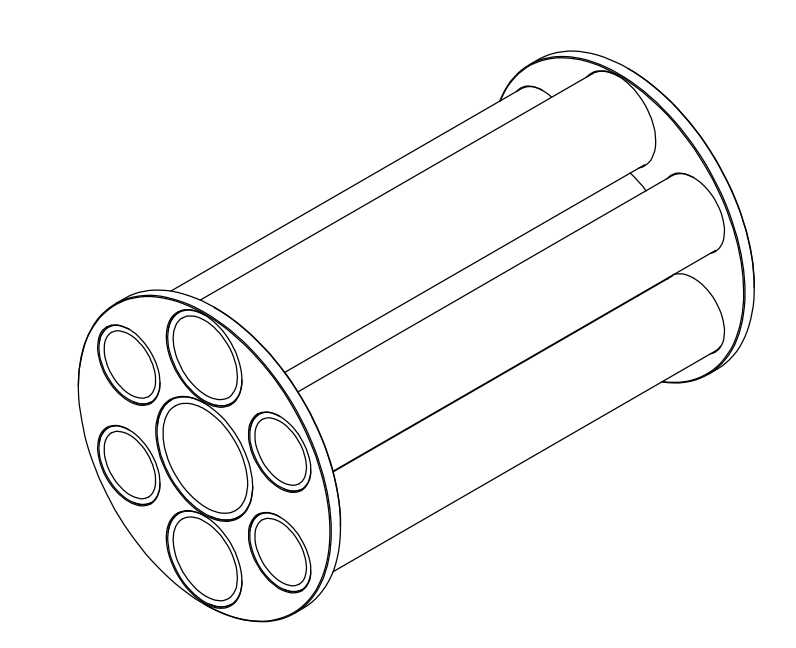
ADDITIONAL REQUIRED ITEMS NOT INCLUDED



VERTICAL PUMP INSTALLATION
SCALE N.T.S.



(VFD) VARIABLE FREQUENCY DRIVE
INCLUDED



12 X 7 ACCELERATOR NOZZLE INSERT
INCLUDED



JOB #:

SCALE:
AS NOTED

CHECKED BY:

DRAWN BY:
MCK

06 / 28 / 16

SHEET NO.:

3 OF 3

